



# 快特電子股份有限公司

## Quictron Corporation

115 台北市區南港區成功路一段32號4樓之10

Rm. 10, 4F., No.32, Sec. 1, Chenggong Rd., Nangang Dist., Taipei City 115, Taiwan, R.O.C

Tel : +886-2-2788-6849 Fax : +886-2-2788-7949

## APPROVAL SHEET

<b>Customer</b> 客 戶	
<b>Description</b> 零 件 概 述	24 PIN, 100/1000 BASE-T LAN Transformer, KM24SGL01 G
<b>Customer's Part No.</b> 客 戶 料 號	
<b>Vendor's Part No.</b> 供 應 商 料 號	KM24SGL01 G

<b>SUPPLIED BY</b>	<b>APPROVED BY</b>
蔣利敏	黃永華 Johnny Huang

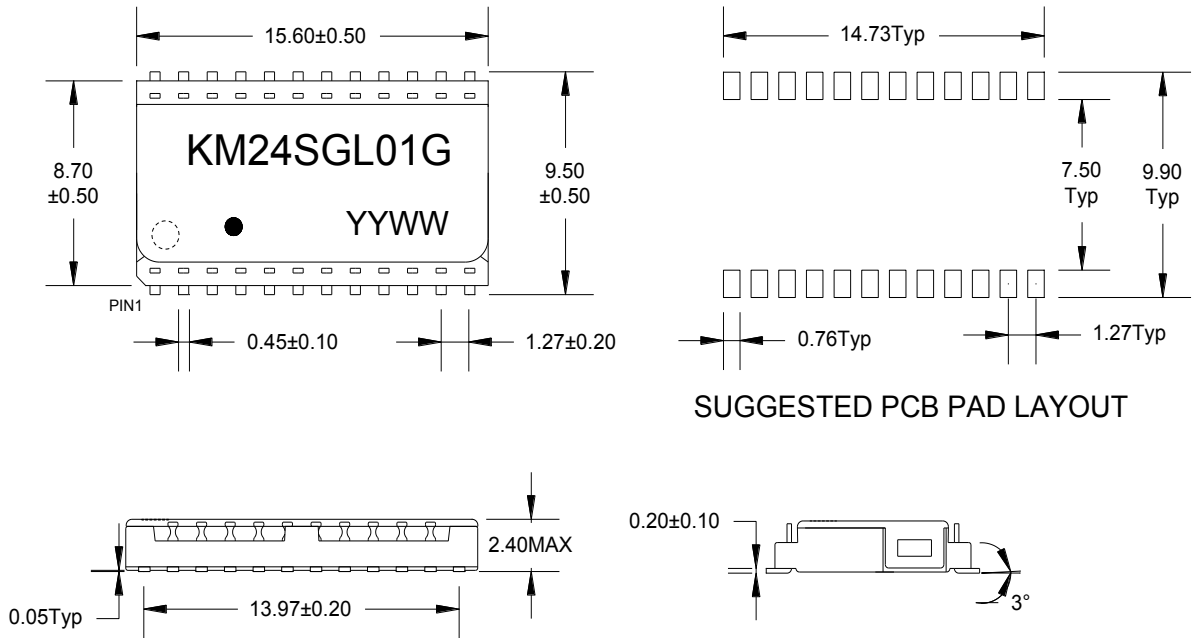




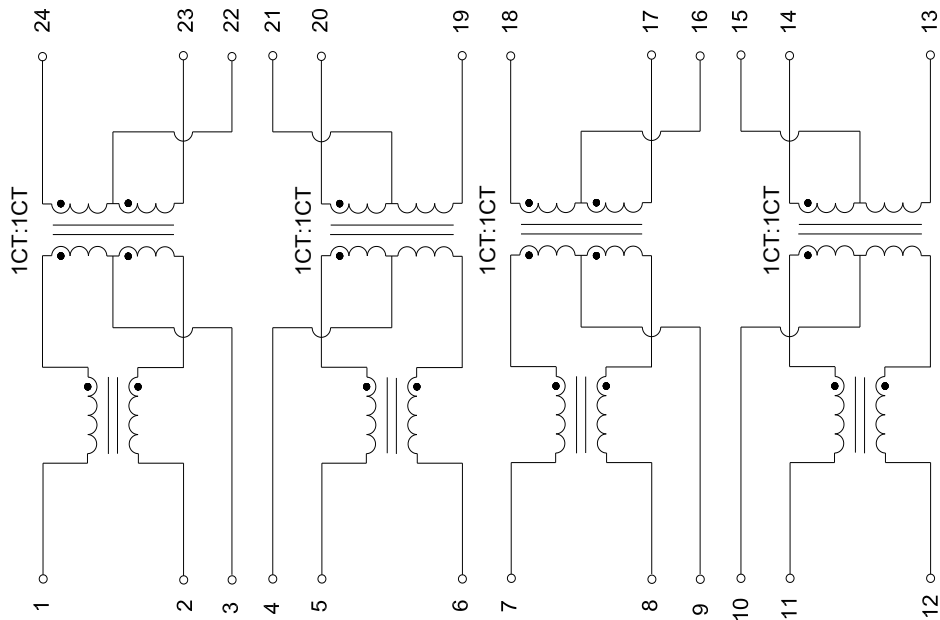
# 金磁股份有限公司

Kingmag Corporation ., Ltd .

## A. MECHANICAL(unit:mm)



## B. SCHEMATICS



DESCRIPTION	KM P/N	SPEC NO	REV: R1
100/1000 BASE-T	KM24SGL01 G		PAGE: 2/4



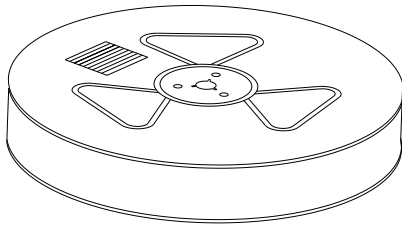
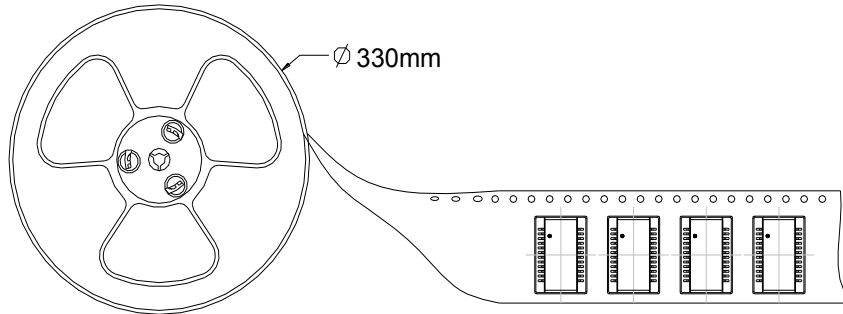
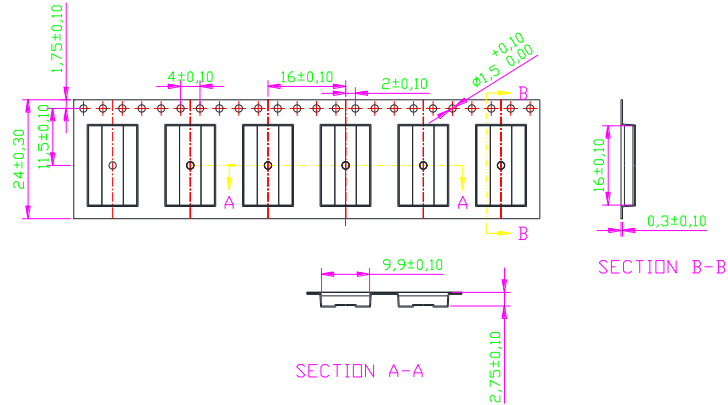
## C. ELECTRICAL SPECIFICATIONS @25°C

1. OCL: 350uH Min @ 100 KHz, 0.1V
2. Leakage Inductance: 0.5uH Max @ 100KHz, 0.1V
3. DCR: 1400mΩ Max
4. Turns Ratio: 1CT:1CT±5%
5. Insertion Loss: -1.1 dB Max @ 1-100 MHz
6. Return Loss: -18 dB Min @ 1-30 MHz
  - 14.4 dB Min @ 40 MHz
  - 13.1 dB Min @ 50 MHz
  - 12 dB Min @ 60-80 MHz
  - 10 dB Min @ 100 MHz
7. Cross Talk: -30 dB Min @ 1-100 MHz
8. Common Mode Rejection: -30 dB Min @ 1-100 MHz
9. Isolation Hipot: 1500VAC 1mA 60S
10. Operating temperature 0°C to +70°C
11. Storage temperature -20°C to +125°C

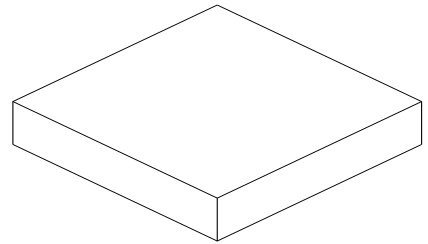
DESCRIPTION	KM P/N	SPEC NO	REV: R1
100/1000 BASE-T	KM24SGL01 G		PAGE: 3/4



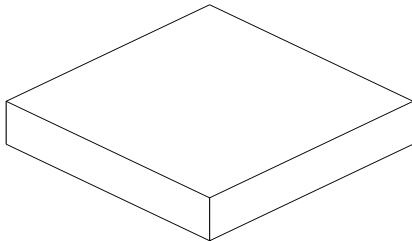
## D. PACKAGE INFORMATION



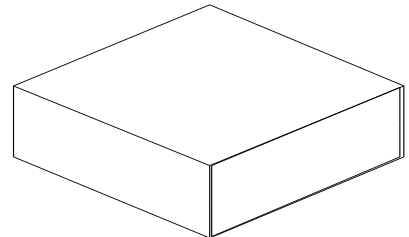
Three Reel



Inner Carton



Two Inner Carton



Export Carton

Package Quantity:

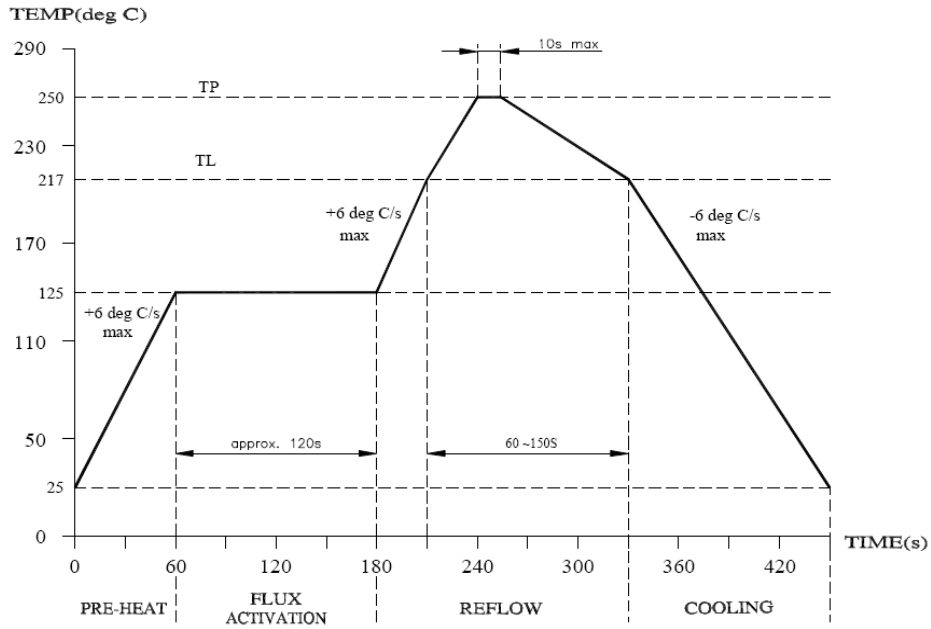
One Reel=1500Pcs

One Inner Carton=1500\*3=4500Pcs

One Export Carton=4500\*2=9000Pcs

DESCRIPTION	KM P/N	SPEC NO	REV: R1
100/1000 BASE-T	KM24SGL01 G		PAGE: 4/4

## E. RECOMMEND REFLOW SOLDERING CURVE



DESCRIPTION	KM P/N	SPEC NO.	REV: R1
100/1000 BASE-T	KM24SGL01 G		PAGE: 5/5