

APPROVED SHEET

CUSTOMER: 快特

KM P/N: KM88DG405P G

P/N:

REV: R0

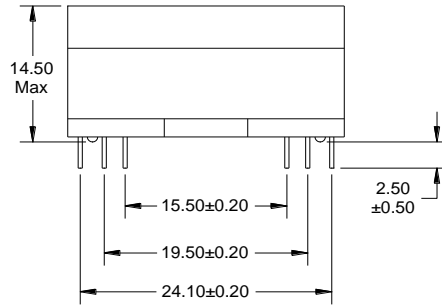
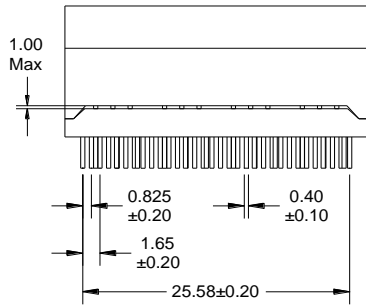
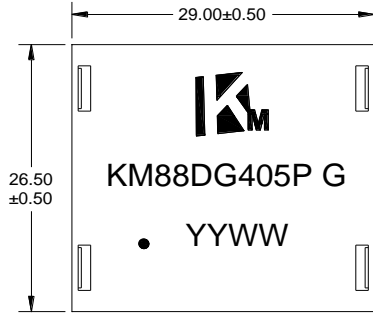
DESCRIPTION: 100/1000 BASE-T

三层式结构

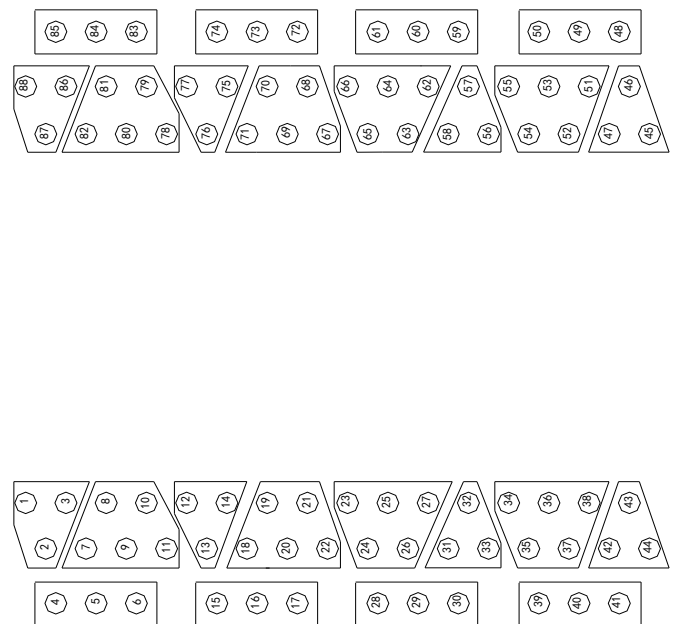
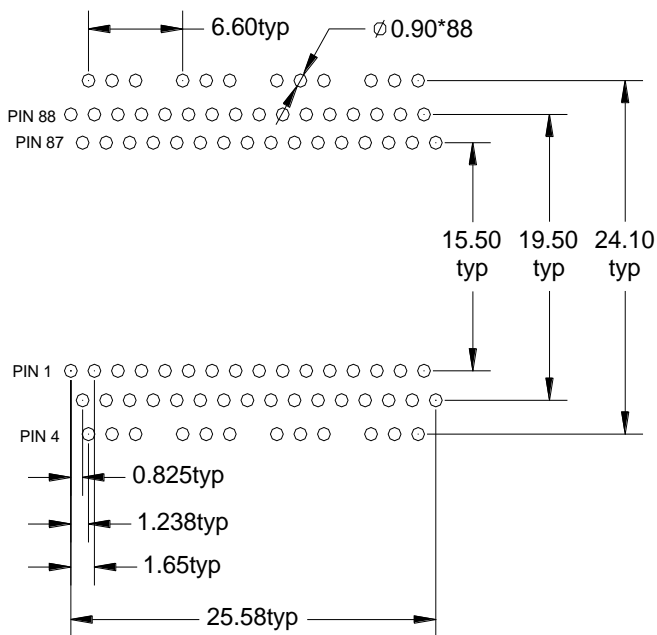
CUSTOMER APPROVAL		COMPANY APPROVAL	
INSPECTED BY:		ISSUED BY:	
CHECKED BY:		CHECKED BY:	
APPROVED BY:		APPROVED BY:	
APPROVED DATE:		ISSUED DATE:	2019-1-4

Please Return One Copy to Us After Approved,TKS! (承认后请回寄一份,谢谢)

A. MECHANICAL(unit:mm)



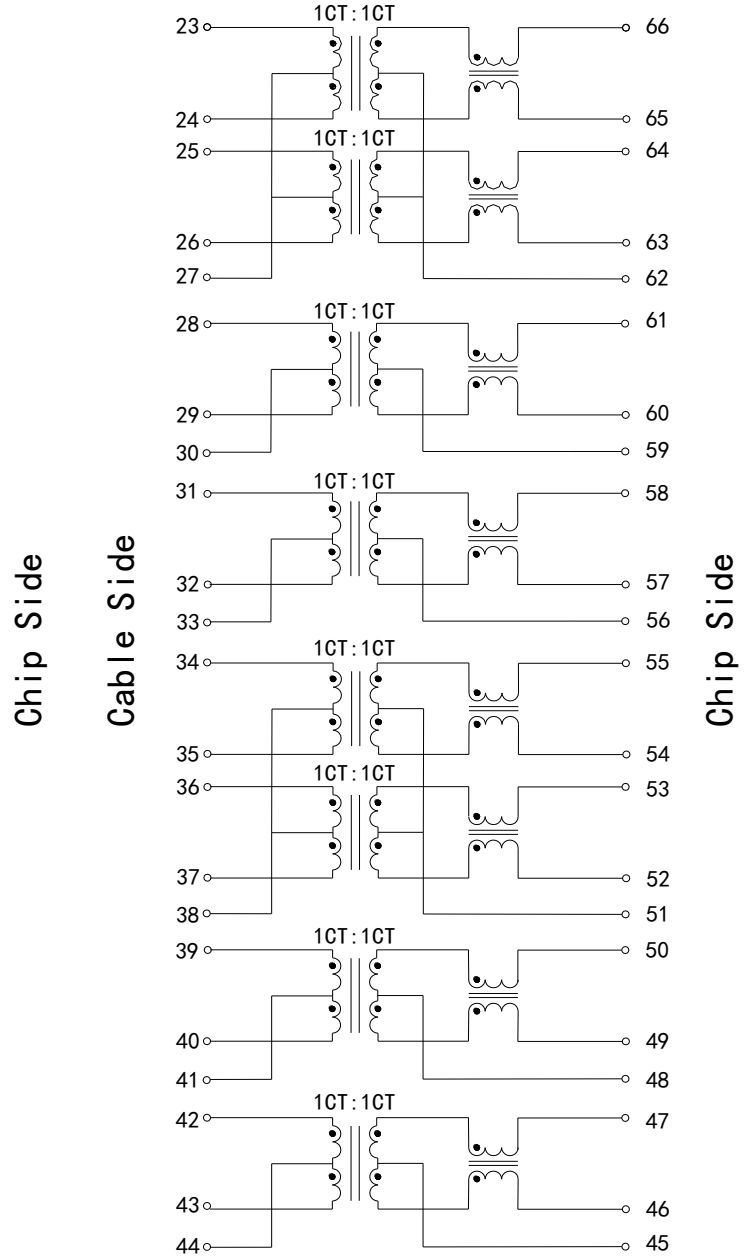
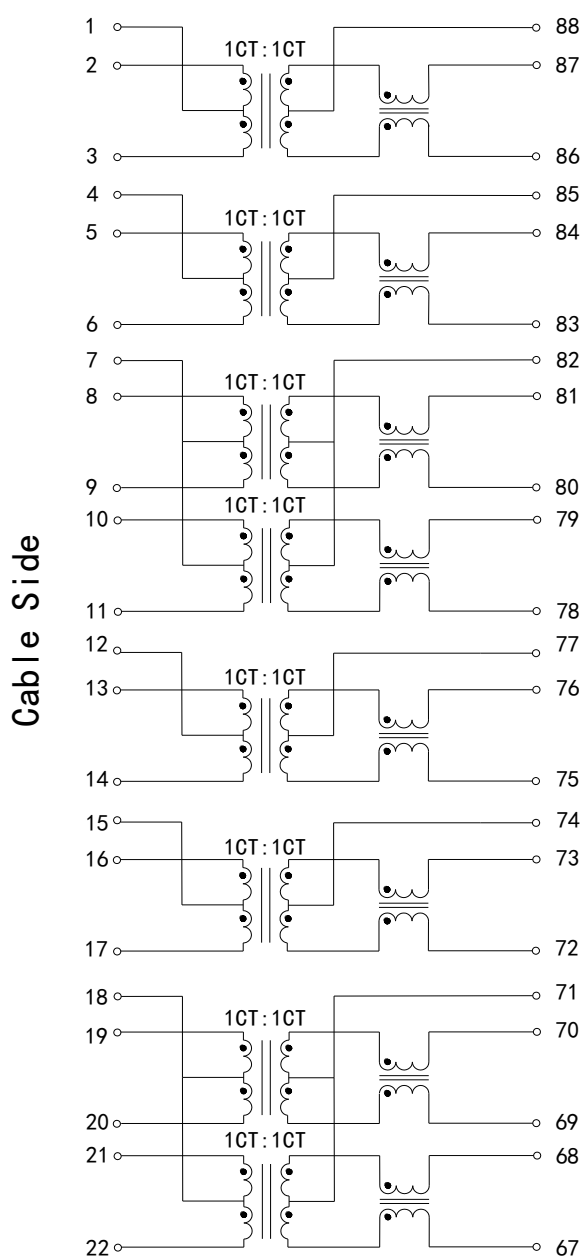
B. PCB Layout mounting Hole(Top View)



DESCRIPTION	KM P/N	SPEC NO.	REV: R0
100/1000 BASE-T	KM88DG405P G		PAGE: 1/4



C. SCHEMATICS



DESCRIPTION	KM P/N	SPEC NO.	REV: R0
100/1000 BASE-T	KM88DG405P G		PAGE: 2/4



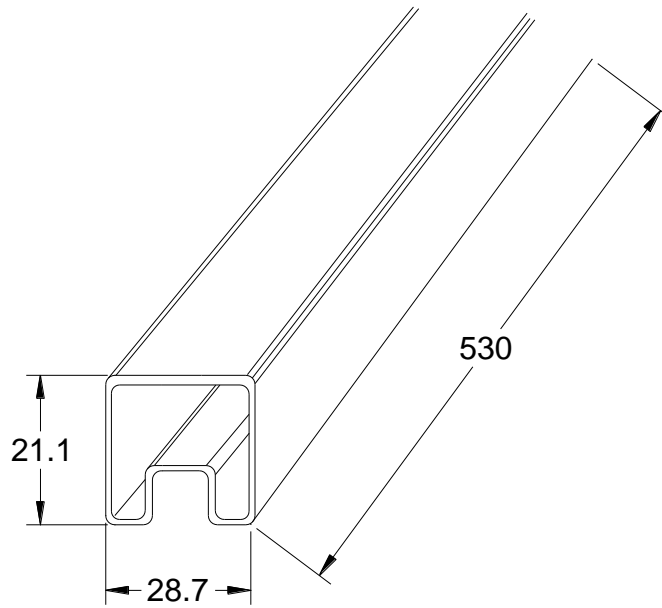
D. ELECTRICAL SPECIFICATIONS @25°C

1. OCL: 350uH Min @ 100KHz, 0.1V 8mA DC BIAS
2. Leakage Inductance: 0.5uH Max @ 100KHz, 0.1V
3. DCR: 1400mΩ Max
4. Turns Ratio: 1CT:1CT±5%
5. Insertion Loss: -1.2 dB Max @ 0.5-1 MHz
-0.2-0.002*f^{1.4} dB Max @ 1-125 MHz
6. Return Loss: -16 dB Min @ 1-40 MHz
-10+20*log (f/80) dB Min @ 40.1-100 MHz
7. Cross Talk: -30 dB Min @ 1-100 MHz
8. Common Mode Rejection: -30 dB Min @ 1-100 MHz
9. Isolation Hipot: 1500VAC 1mA 60S
10. Operating temperature 0°C to +70°C
11. Storage temperature -25°C to +125°C
12. IEEE802.3at compliant performance---720mA Current Capability

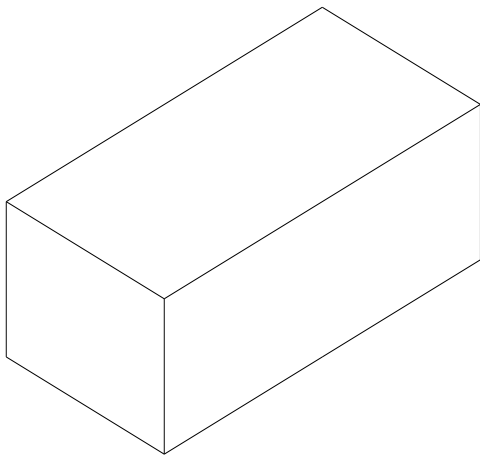
DESCRIPTION	KM P/N	SPEC NO.	REV: R0
100/1000 BASE-T	KM88DG405P G		PAGE: 3/4



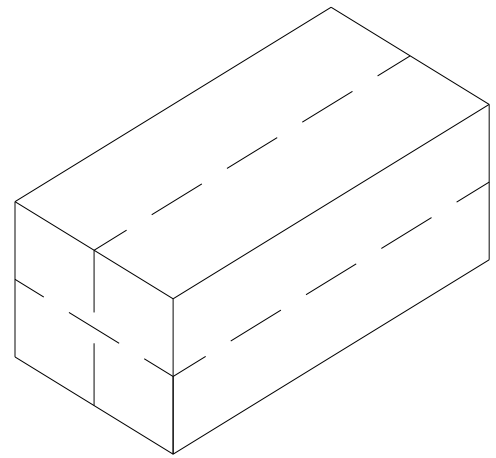
E. PACKAGE INFORMATION



Tube: 530*28.7*21.1mm



Inner Carton: L570*W180*H100mm



Export Carton: L580*W380*H240mm

Package Quantity:

One Tube=17Pcs

One Inner Carton=17*20=340Pcs

One Export Carton=340*4=1360Pcs

DESCRIPTION	KM P/N	SPEC NO.	REV: R0
100/1000 BASE-T	KM88DG405P G		PAGE: 4/4