



快特電子股份有限公司

Quictron Corporation

115 台北市區南港區成功路一段32號4樓之10

Rm. 10, 4F., No.32, Sec. 1, Chenggong Rd., Nangang Dist., Taipei City 115, Taiwan, R.O.C

Tel : +886-2-2788-6849 Fax : +886-2-2788-7949

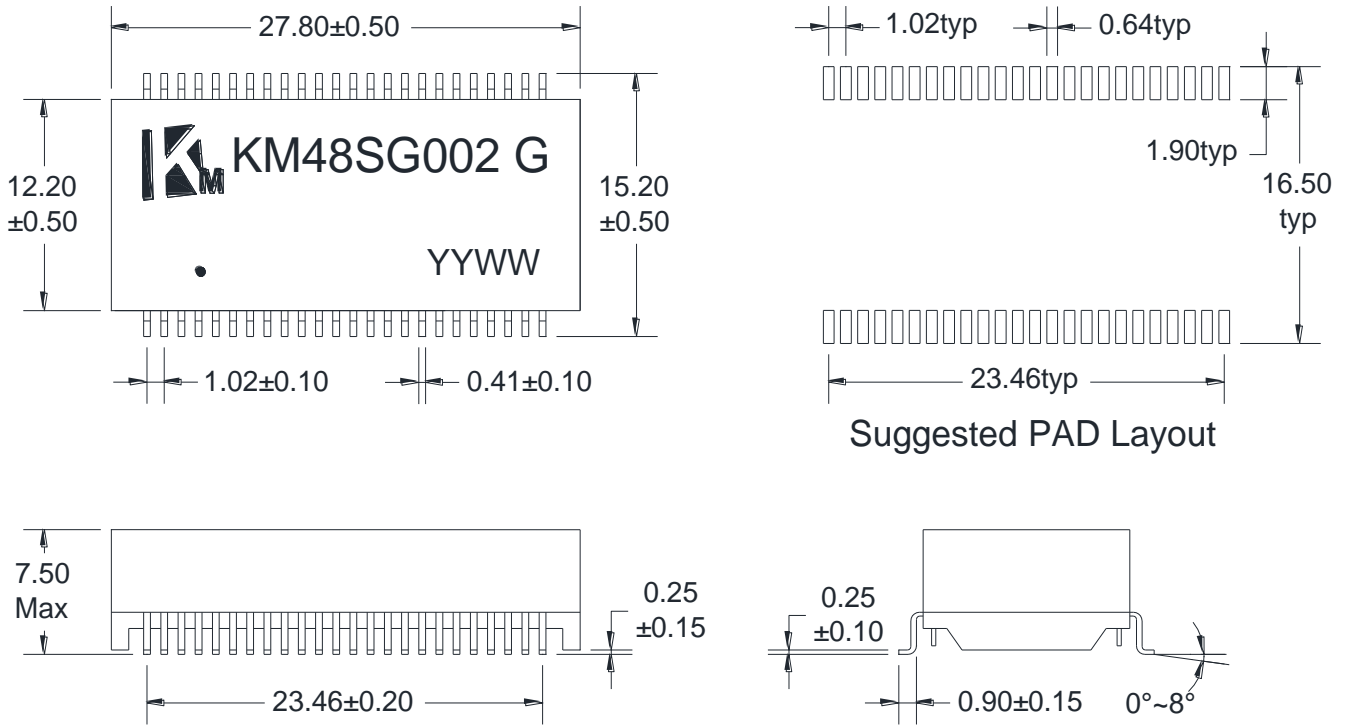
## APPROVAL SHEET

|                                       |  |
|---------------------------------------|--|
| <b>Customer</b><br>客 戶                | 緯創   |
| <b>Description</b><br>零 件 概 述         | 48PIN, 100/1000 BASE-T LAN Transformer,<br>KM48SG002 G |
| <b>Customer's Part No.</b><br>客 戶 料 號 |  |
| <b>Vendor's Part No.</b><br>供 應 商 料 號 | KM48SG002 G  |

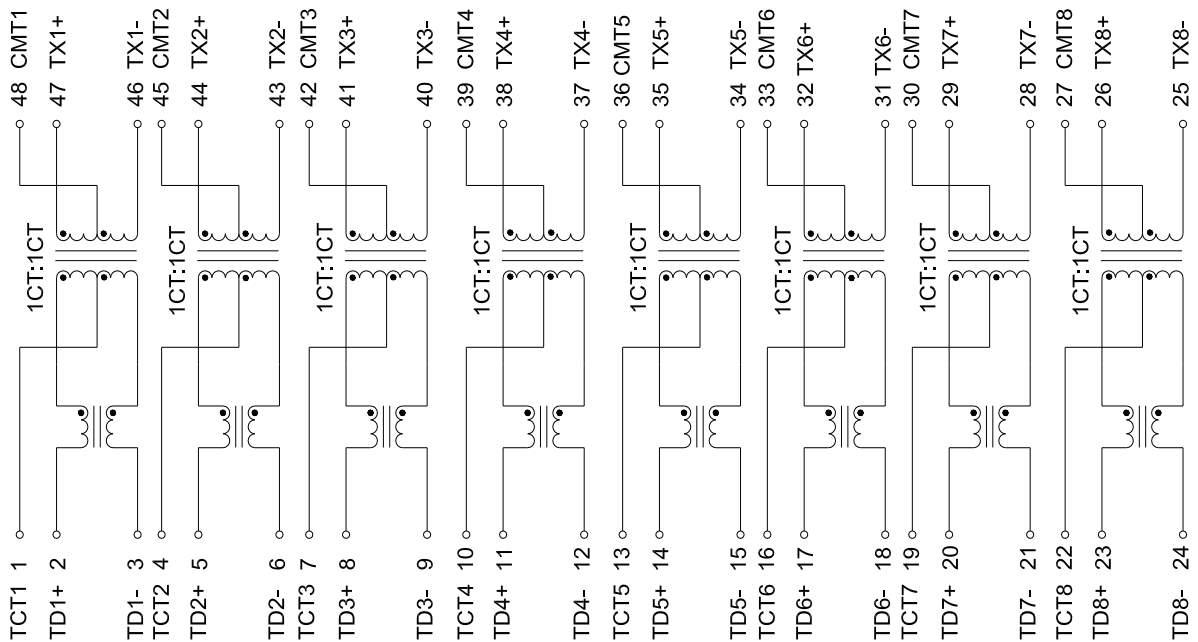
|                    |                    |
|--------------------|--------------------|
| <b>SUPPLIED BY</b> | <b>APPROVED BY</b> |
| 蔣利敏                | 黃永華 Johnny Huang   |



## A. MECHANICAL(unit:mm)



## B. SCHEMATICS



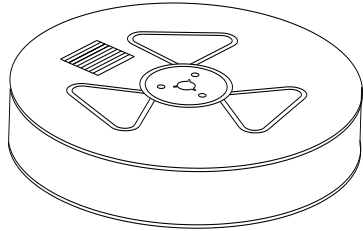
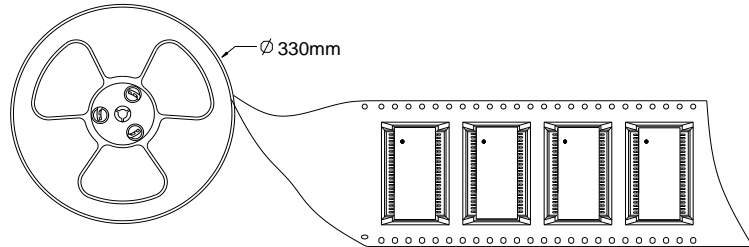
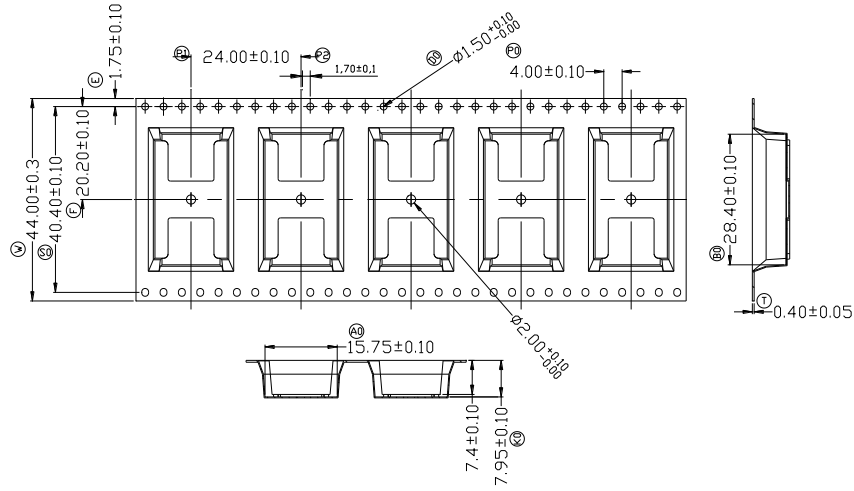
| DESCRIPTION     | KM P/N      | SPEC NO. | REV: R2   |
|-----------------|-------------|----------|-----------|
| 100/1000 BASE-T | KM48SG002 G | PAB-3451 | PAGE: 2/5 |

## C. ELECTRICAL SPECIFICATIONS @25°C

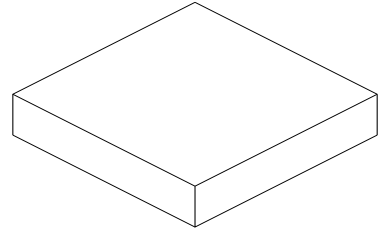
1. OCL: 350uH Min @ 100 KHz, 0.1V 8mA DC BIAS
2. Leakage Inductance: 0.5uH Max @ 100KHz, 0.1V
3. DCR: 1400mΩ Max
4. Turns Ratio: 1CT:1CT±5%
5. Insertion Loss: -1.1 dB Max @ 1-100 MHz
6. Return Loss: -18 dB Min @ 1-30 MHz
  - 14.4 dB Min @ 40 MHz
  - 13.1 dB Min @ 50 MHz
  - 12 dB Min @ 60-80 MHz
  - 10 dB Min @ 100 MHz
7. Cross Talk: -30 dB Min @ 1-100 MHz
8. Common Mode Rejection: -30 dB Min @ 1-100 MHz
9. Isolation Hipot: 1500VAC 1mA 60S
10. Operating temperature 0°C to +70°C
11. Storage temperature -25°C to +125°C
12. MSL: Grade: 1 Level. Floor life: 1 year Condition: ≤30°C/60%RH

| DESCRIPTION     | KM P/N      | SPEC NO. | REV: R2   |
|-----------------|-------------|----------|-----------|
| 100/1000 BASE-T | KM48SG002 G | PAB-3451 | PAGE: 3/5 |

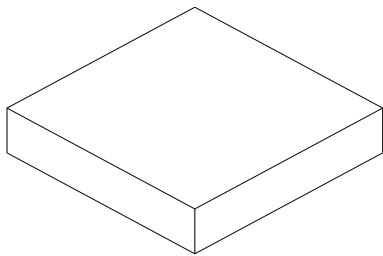
## D. PACKAGE INFORMATION



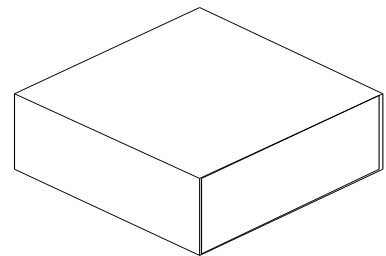
Two Reel



Inner Carton



Two Inner Carton



Export Carton

Package Quantity:

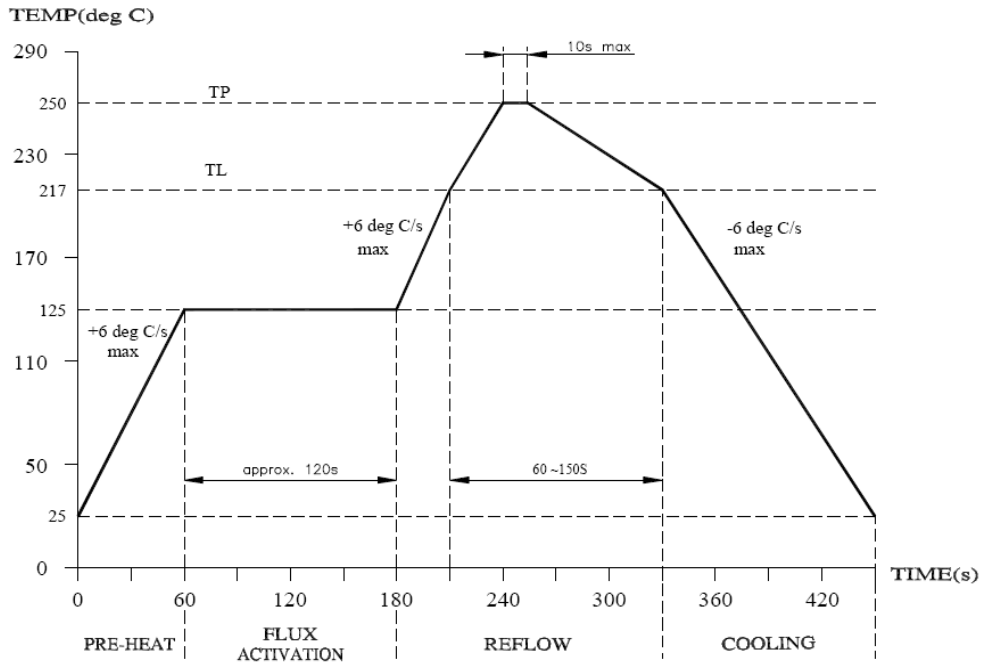
One Reel=300Pcs

One Inner Carton=300\*2=600Pcs

One Export Carton=600\*2=1200Pcs

| DESCRIPTION     | KM P/N      | SPEC NO. | REV: R2   |
|-----------------|-------------|----------|-----------|
| 100/1000 BASE-T | KM48SG002 G | PAB-3451 | PAGE: 4/5 |

## E. RECOMMEND REFLOW SOLDERING CURVE



| DESCRIPTION     | KM P/N      | SPEC NO. | REV: R2   |
|-----------------|-------------|----------|-----------|
| 100/1000 BASE-T | KM48SG002 G | PAB-3451 | PAGE: 5/5 |