

APPROVED SHEET

CUSTOMER: 快特

KM P/N: KM48SG082-2P G

P/N:

REV: R0

DESCRIPTION: 2.5/5G BASE-T

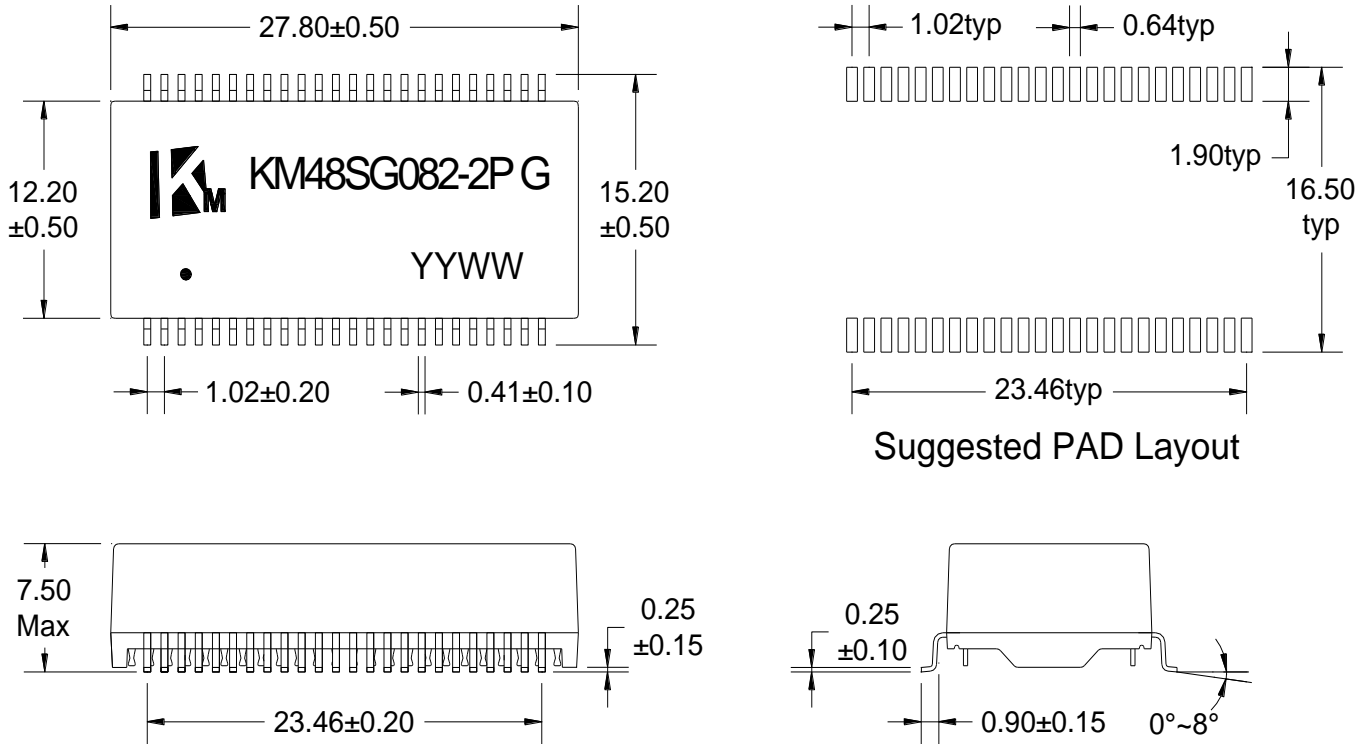
POE 720mA

CUSTOMER APPROVAL		COMPANY APPROVAL	
INSPECTED BY:		ISSUED BY:	蒋利敏
CHECKED BY:		CHECKED BY:	
APPROVED BY:		APPROVED BY:	
APPROVED DATE:		ISSUED DATE:	2019-10-22

Please Return One Copy to Us After Approved,TKS! (承认后请回寄一份,谢谢)

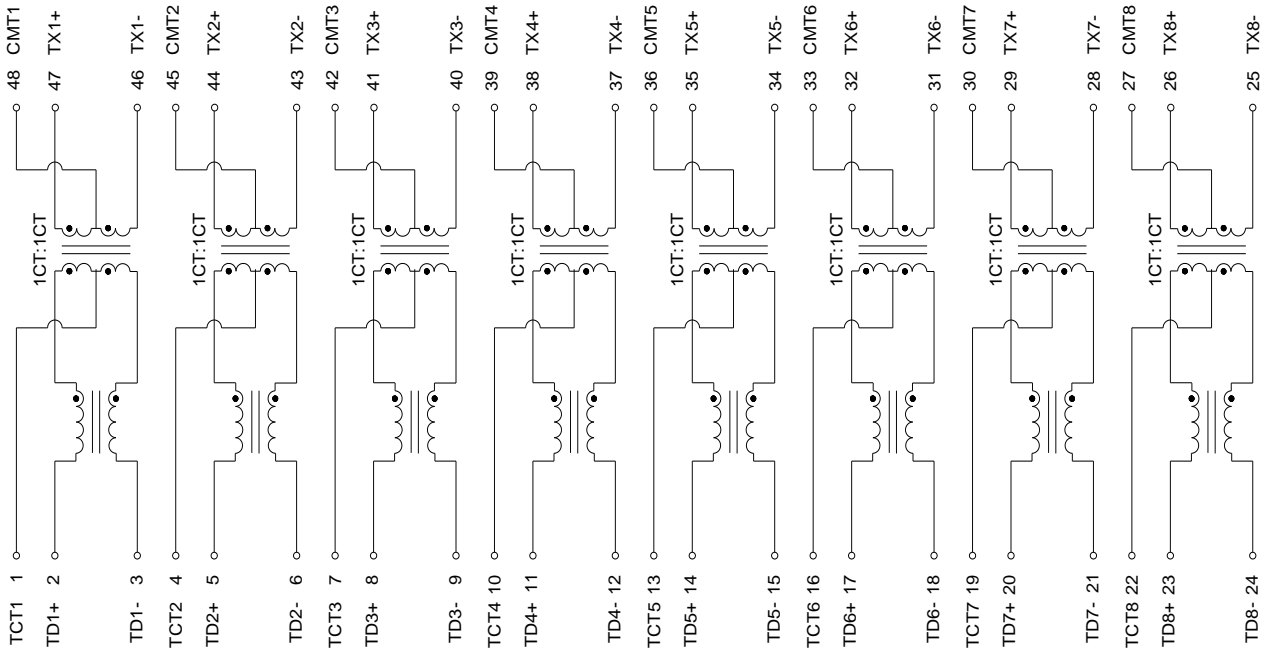


A. MECHANICAL (unit:mm)



B. SCHEMATICS

Cable Side



Chip Side

DESCRIPTION	KM P/N	SPEC NO.	REV: R0
2.5/5G BASE-T	KM48SG082-2P G		PAGE: 1/3



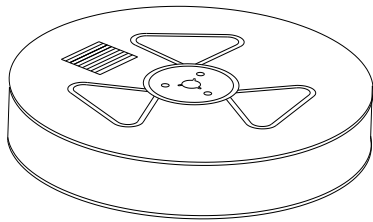
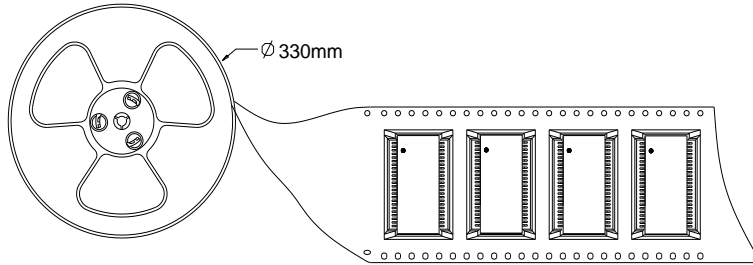
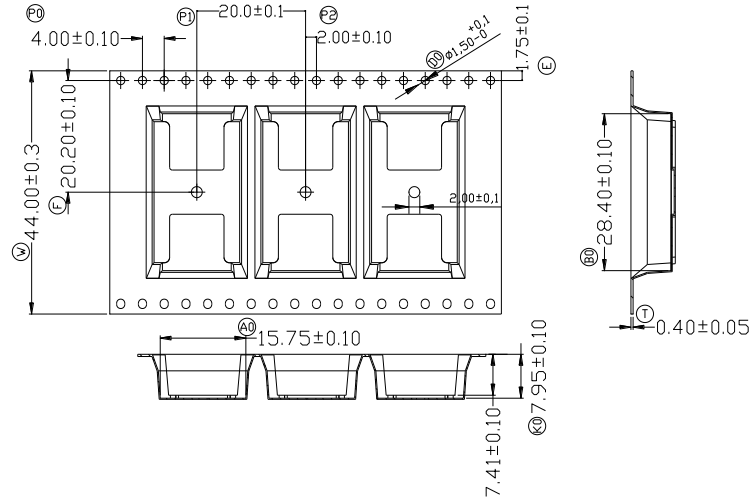
C. ELECTRICAL SPECIFICATIONS @25°C

1. OCL: 180uH Min @ 100KHz 0.1V with 8mA DC BIAS
2. Leakage Inductance: 0.5uH Max @ 100KHz, 0.1V
3. DCR: 1000mΩ Max
4. Turns Ratio: 1CT:1CT±5%
5. Insertion Loss: -1.0 dB Max @ 1-100 MHz
-2.0 dB Max @ 100-250 MHz
6. Return Loss: -16 dB Min @ $1 \leq f \leq 40$ MHz
-16+10log(f/40) dB Min @ $40 < f \leq 250$ MHz, where f is in MHz
7. Cross Talk: -30 dB Typ @ 1-250 MHz
8. Common Mode Rejection Ratio: -30 dB Typ @ 1-250 MHz
9. Isolation Hipot: 1500VAC 1mA 60S
10. Operating temperature 0°C to +70°C
11. Storage temperature -25°C to +125°C
12. IEEE802.3at compliant performance--- support 720mA DC balance current
13. MSL: Grade: 1 Level. Floor life: 1 year Condition: ≤30°C/60%RH

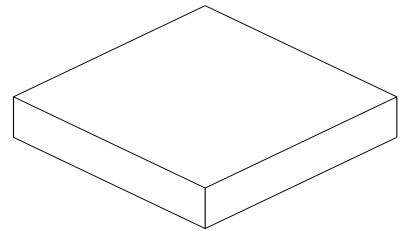
DESCRIPTION	KM P/N	SPEC NO.	REV: R0
2.5/5G BASE-T	KM48SG082-2P G		PAGE: 2/3



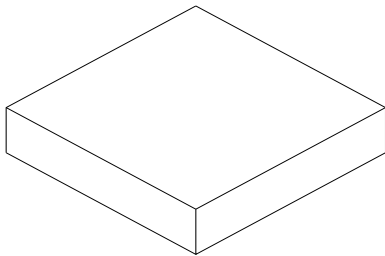
D. PACKAGE INFORMATION



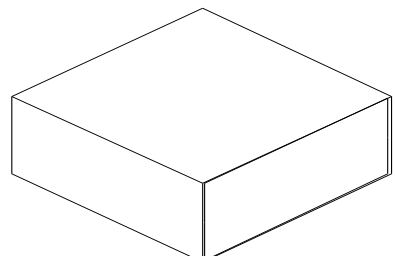
Two reel



Inner Carton



Two Inner Carton



Export Carton

Package Quantity:

One Reel=350Pcs

One Inner Carton=350*2=700Pcs

One Export Carton=700*2=1400Pcs

DESCRIPTION	KM P/N	SPEC NO.	REV: R0
2.5/5G BASE-T	KM48SG082-2P G		PAGE: 3/3