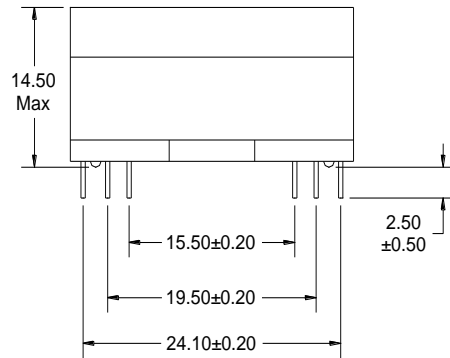
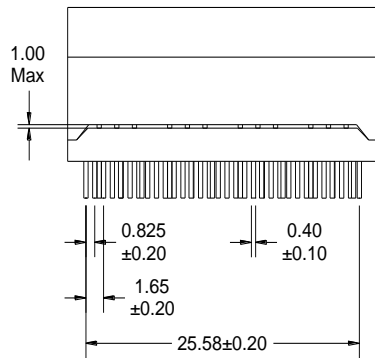
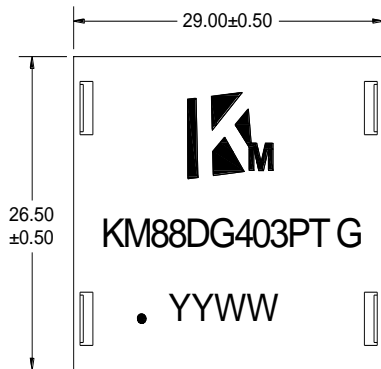
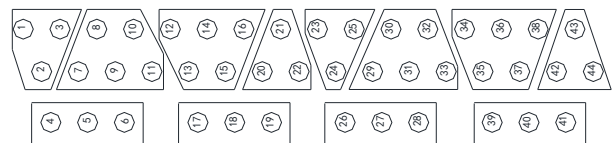
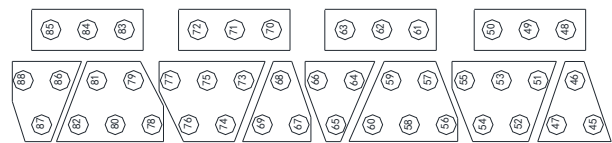
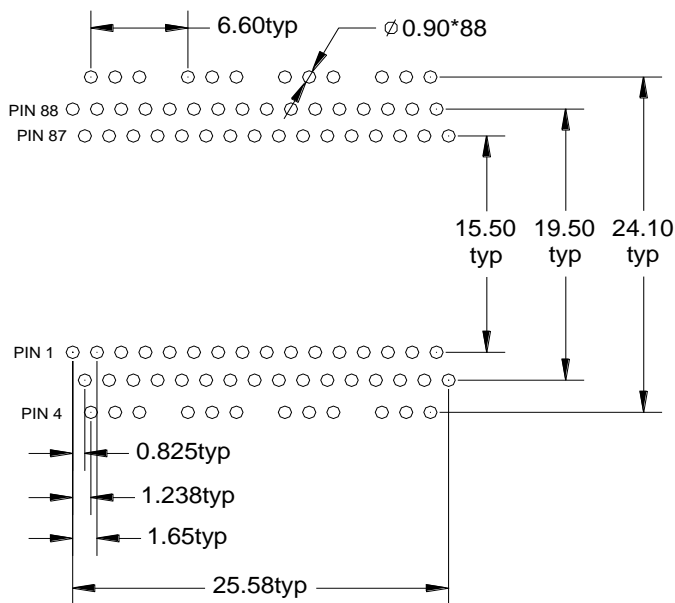


A. MECHANICAL(unit:mm)



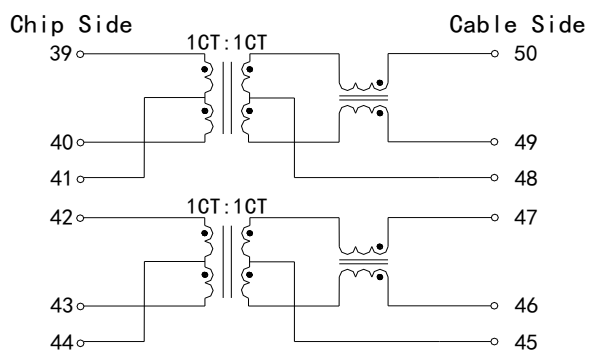
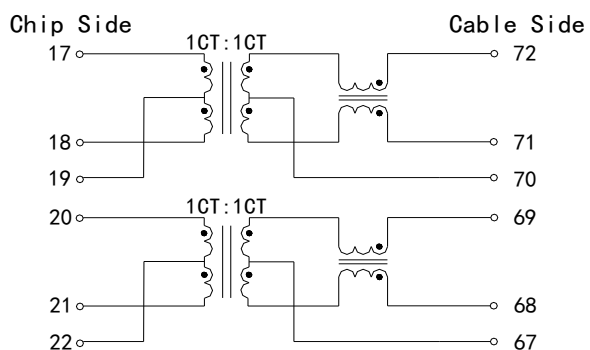
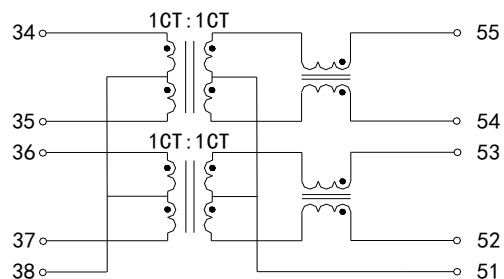
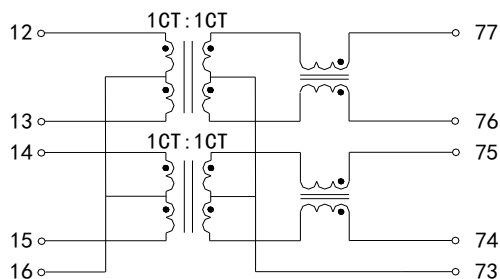
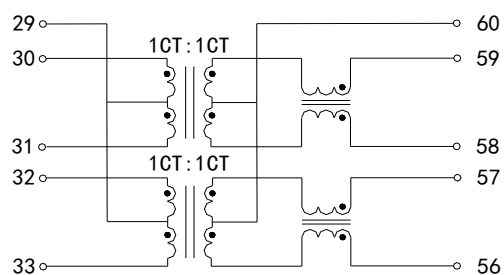
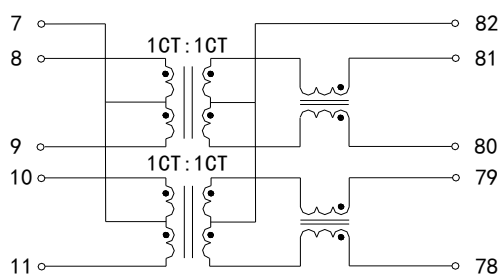
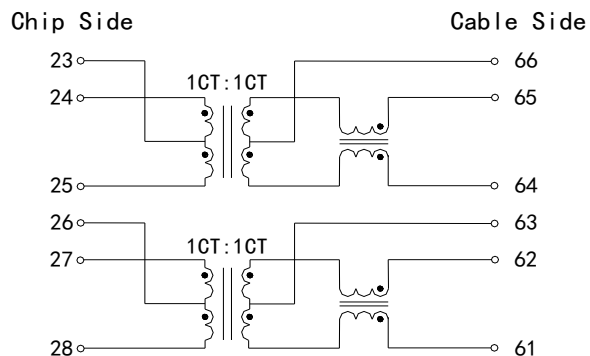
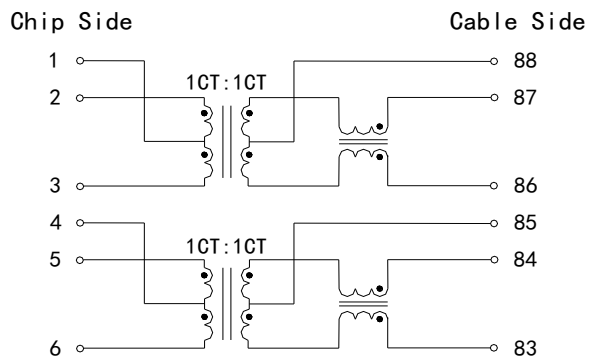
B. PCB Layout mounting Hole(Top View)



DESCRIPTION	KM P/N	SPEC NO.	REV: R0
100/1000 BASE-T	KM88DG403PT G		PAGE: 1/4



C. SCHEMATICS



DESCRIPTION	KM P/N	SPEC NO.	REV: R0
100/1000 BASE-T	KM88DG403PT G		PAGE: 2/4



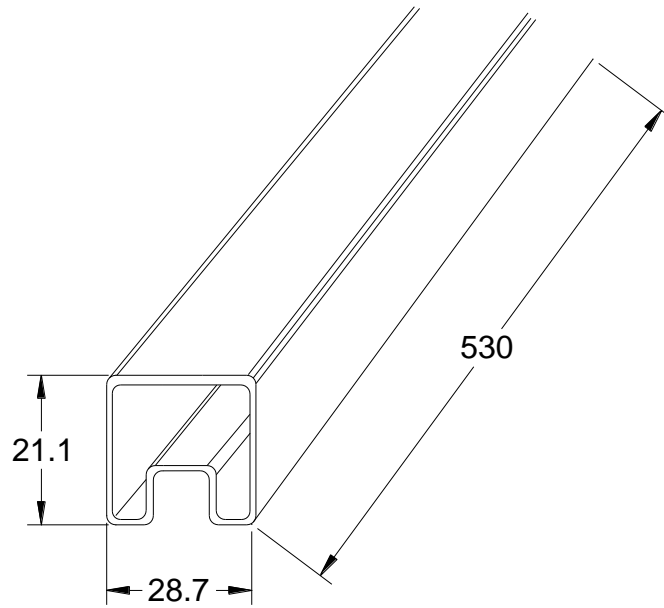
D. ELECTRICAL SPECIFICATIONS @25°C

1. OCL: 350 uH Min @ 100KHz, 0.1V 14mA DC BIAS
2. Leakage Inductance: 0.5 uH Max @ 100KHz, 0.1V
3. DCR: 1400 mΩ Max
4. Turns Ratio: 1CT:1CT±5%
5. Insertion Loss: -1.2 dB Max @ 0.5-1 MHz
-0.2-0.002*f^{1.4} dB Max @ 1-125 MHz
6. Return Loss: -16 dB Min @ 1-40 MHz
-10+20*log (f/80) dB Min @ 40.1-100 MHz
7. Cross Talk: -30 dB Min @ 1-100 MHz
8. Common Mode Rejection: -30 dB Min @ 1-100 MHz
9. Isolation Hipot: 1500VAC 1mA 60S
10. Operating temperature -40°C to +85°C
11. Storage temperature -40°C to +125°C
12. 720mA Current Capability--It is suitable for IEEE 802.3at
13. MSL: Grade: 1 Level. Floor life: 1 year Condition:</=30°C/60%RH

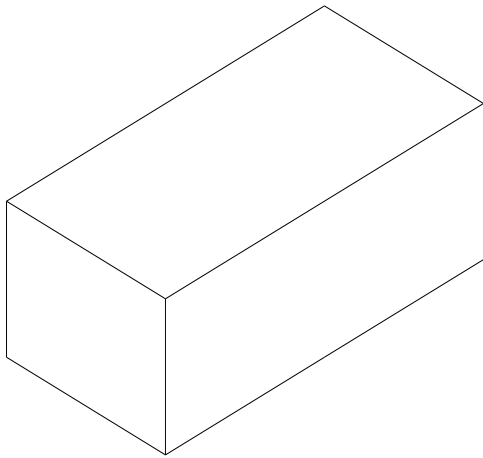
DESCRIPTION	KM P/N	SPEC NO.	REV: R0
100/1000 BASE-T	KM88DG403PT G		PAGE: 3/4



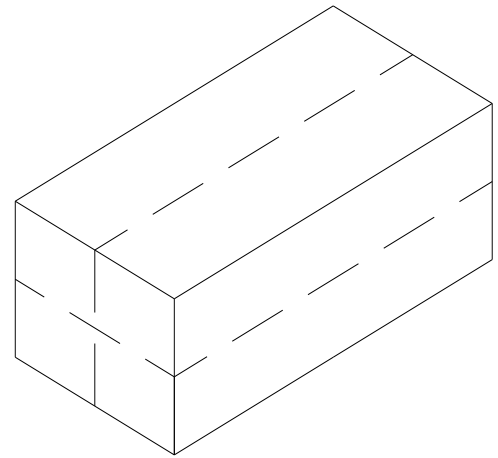
E. PACKAGE INFORMATION



Tube: 530*28.7*21.1mm



Inner Carton: L555*W165*H100mm



Export Carton: L583*W370*H240mm

Package Quantity:

One Tube=17Pcs

One Inner Carton=17*20=340Pcs

One Export Carton=340*4=1360Pcs

DESCRIPTION	KM P/N	SPEC NO.	REV: R0
100/1000 BASE-T	KM88DG403PT G		PAGE: 4/4